



# INSTALLATION INSTRUCTIONS

Accessory  
REAR BUMPER PROTECTOR  
METAL PANELS

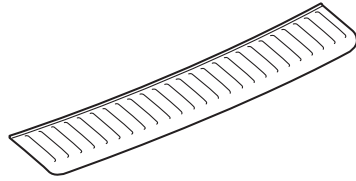
Application  
2014 CROSSTOUR

Publications No.  
All 50553

Issue Date  
Sept 2013

## PARTS LIST

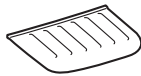
Center panel



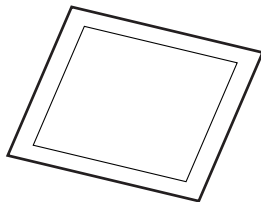
Right panel



Left panel



Alcohol swab



## TOOLS AND SUPPLIES REQUIRED

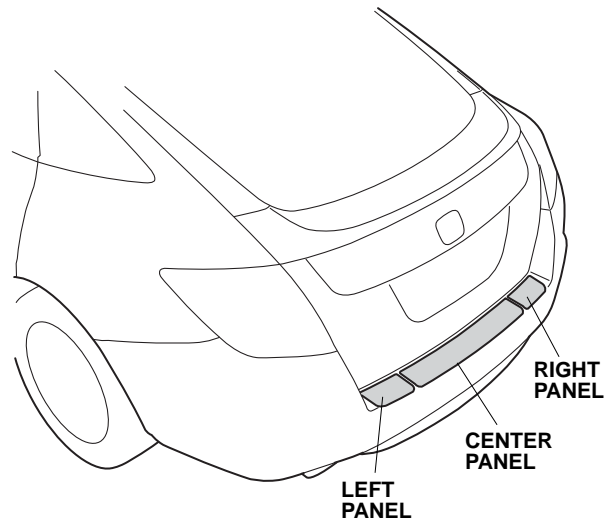
Masking tape

Marker

Tape measure

Rubber roller (T/N EQSE54D)

## Illustration of the Rear Bumper Protector Metal Panels Installed on the Vehicle



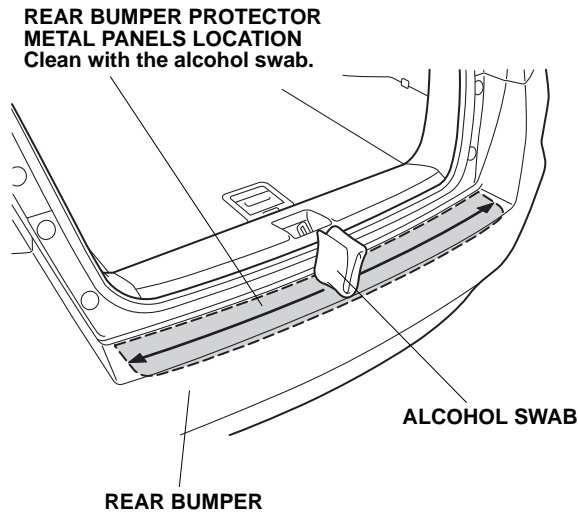
## INSTALLATION

### NOTE:

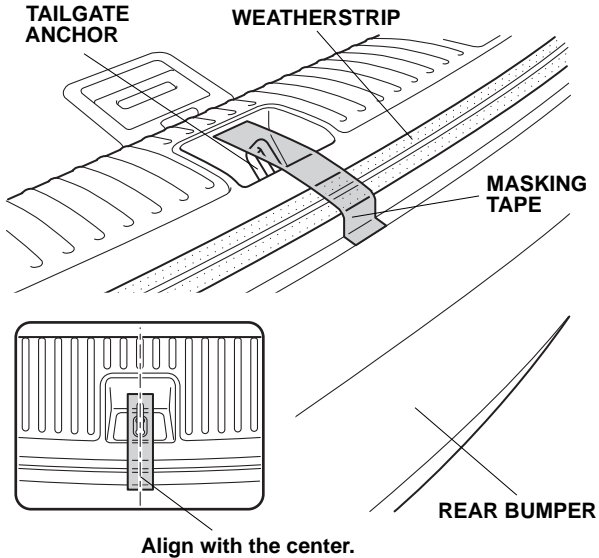
- Do not damage the paint finish.
- This kit should be installed only if the ambient air temperature is 15°C (60°F) or above.
- To allow the adhesive to cure, do not wash the vehicle for 24 hours. Please advise the customer.

## Installing the Rear Bumper Protector Metal Panels

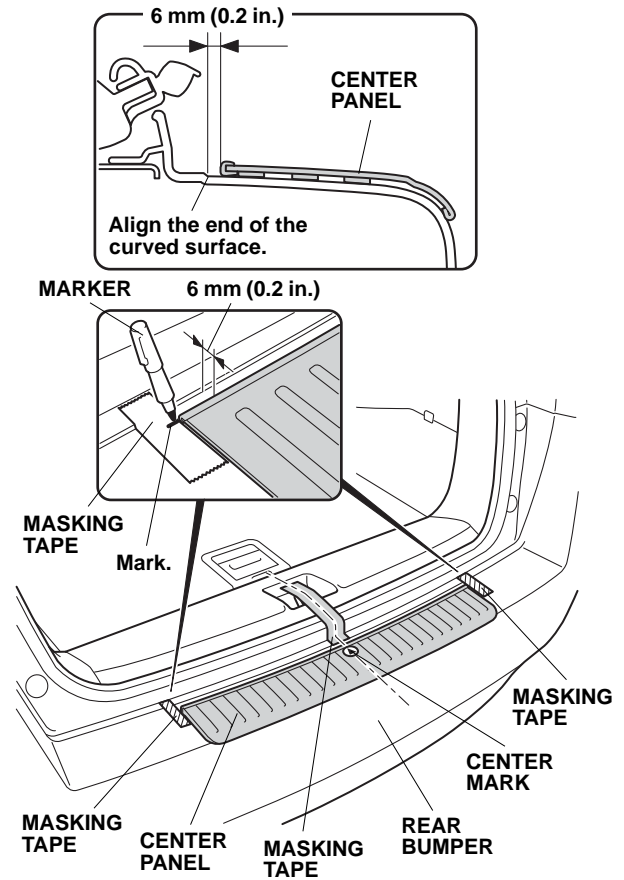
1. Open the rear hatch. Using the alcohol swab, thoroughly clean the rear bumper where the rear bumper protector metal panels will attach.



2. Attach a piece of masking tape to the center of the tailgate anchor and weatherstrip as shown. Mark the center of the tape.

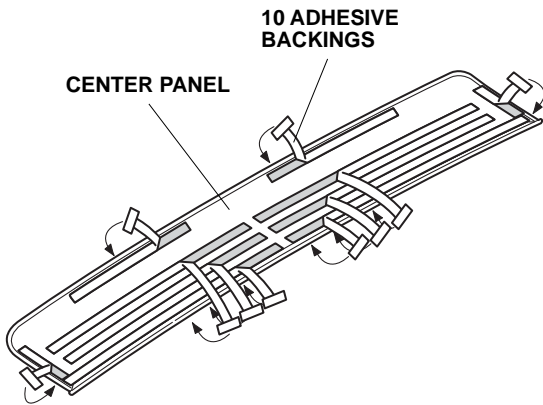


3. Position the center panel on the rear bumper, and align it with the center mark on the masking tape as shown.

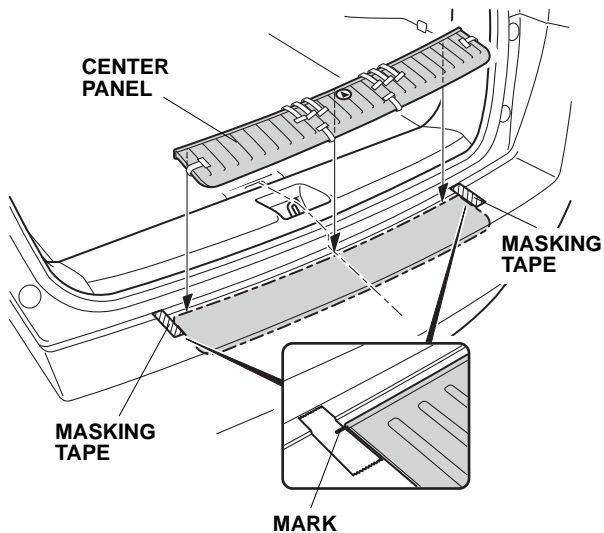


4. Attach a piece of masking tape to the rear bumper at each end of the center panel as shown. Using a marker, measure 6 mm (0.2 in.) and mark the tape as shown. Remove the center panel and the center piece of masking tape.

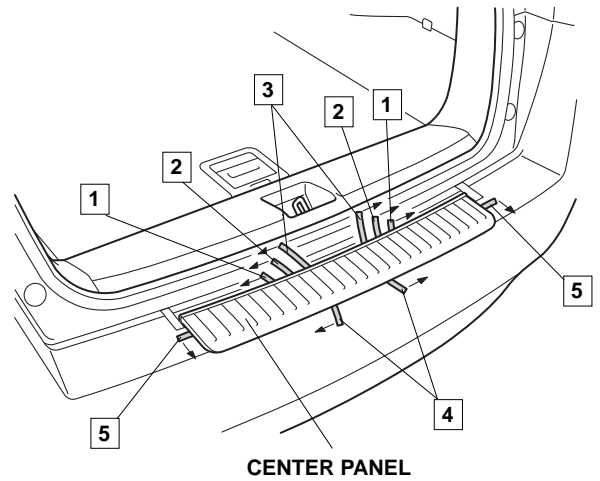
5. Peel back all of the adhesive backings as shown and tape them to the front of the center panel using pieces of masking tape.



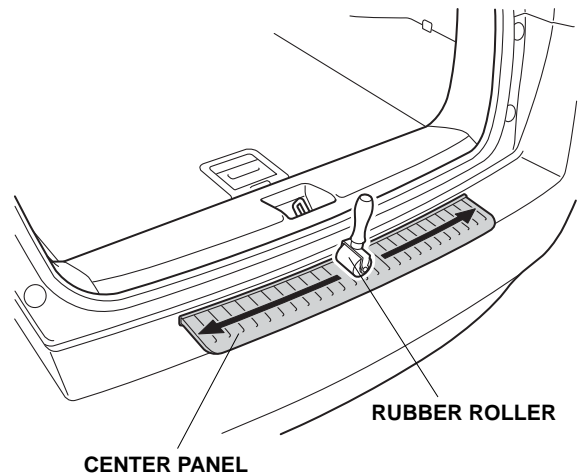
6. Place the center panel on the rear bumper between the two pieces of masking tape at the marks you made.



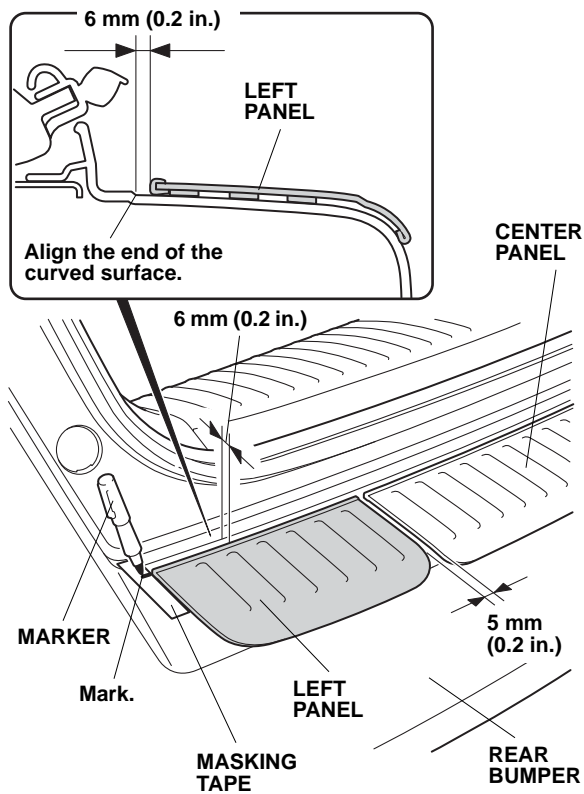
7. While pressing the center panel firmly with the palm of your hand, slowly and carefully remove the adhesive backings in the order shown.



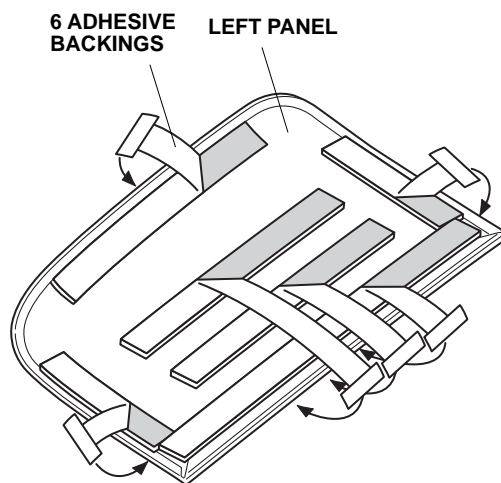
8. Remove the masking tape. Using the rubber roller, apply firm pressure to the center panel, especially at the ends, as shown.



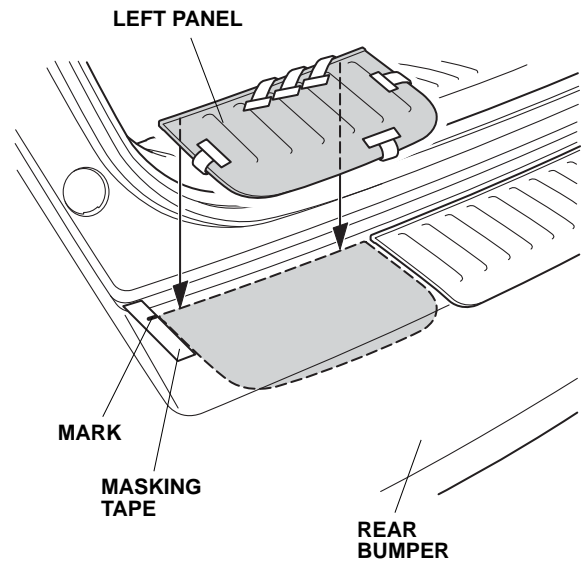
- Position the left panel on the rear bumper and align it with the center panel. Attach a piece of masking tape to the rear bumper at the edge of the left panel. Using a marker, mark the masking tape at the measurement shown. Remove the left panel.



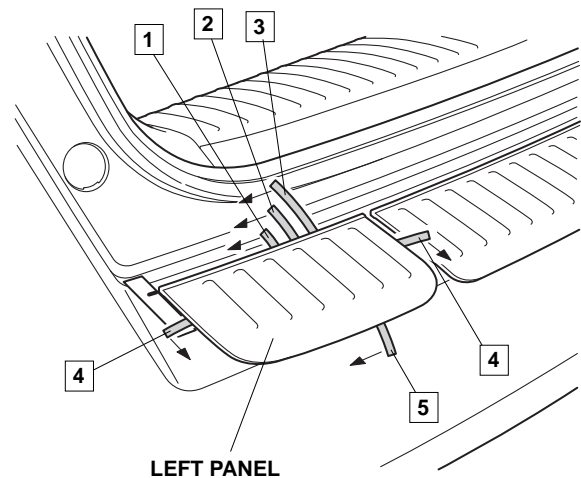
- Peel back all of the adhesive backings, and tape them to the front of the left panel using pieces of masking tape.



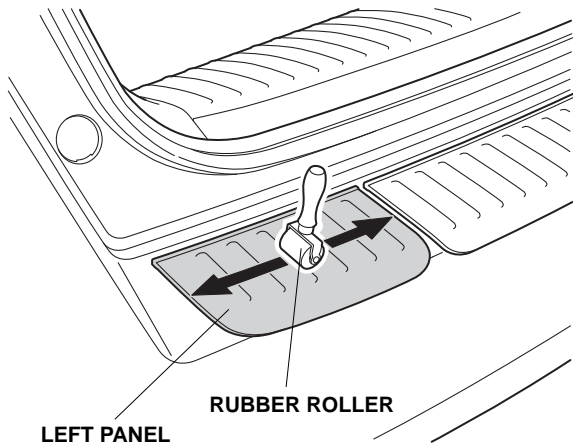
- Place the left panel on the rear bumper and align it with the masking tape and the mark you made.



- While pressing the left panel firmly with the palm of your hand, slowly and carefully remove the adhesive backings in the order shown.



13. Using the rubber roller, apply firm pressure to the left panel, especially at the ends, as shown.



14. Repeat steps 9 thru 13 to install the right panel.